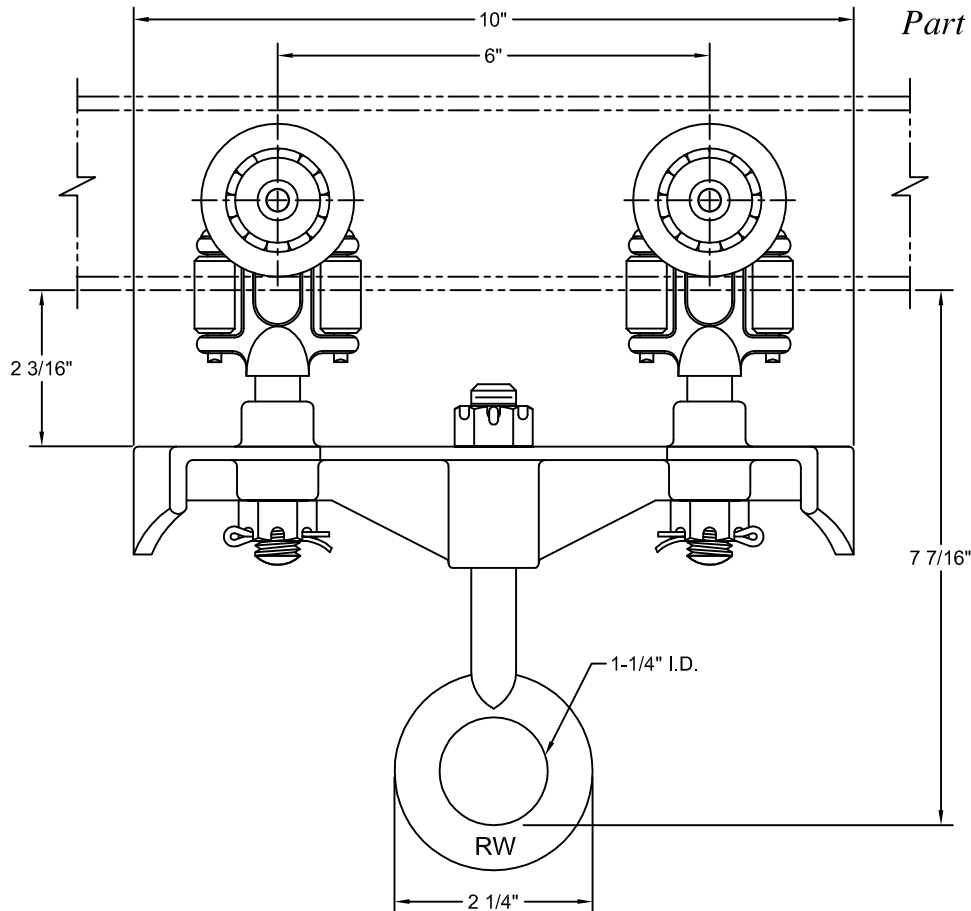


FOUR-WHEEL CARRIER

Part No. 2035.00234



DESCRIPTION: The Four-Wheel Carrier is used for "Safe-Rail" applications. The wheel pendants are dropped forged and equipped with hardened machine steel thrust rollers. The Machined wheels are 2-1/8" in diameter and have a full compliment of steel ball bearings. The load bar is a malleable iron casting complete with bumpers. The eye bolt is dropped forged and heat treated. The carrier is shipped unassembled and includes all necessary nuts, and cotter pins for field assembly. The load bar is finished with R-W standard baked enamel powder coat paint.

APPLICATION: The carrier is designed to roll smoothly under maximum loading. Each wheel assembly swivels independently allowing the entire unit to smoothly negotiate the curves and all R-W switches.

CAPACITY: 250 lbs.

SHIPPING WEIGHT: 6 lbs.

File Name: 2035-234.dwg

RICHARDS - WILCOX

600 S LAKE ST. AURORA, IL 60506
 Phone: (630) 897-6951 Fax: (630) 897-6994
 Web Site: www.richardswilcox.com

DESCRIPTION:

FOUR-WHEEL CARRIER

PART NO.:

2035.00234

REV. LEVEL:

C

DATE:

JULY 11

NOTICE:

This drawing in design and detail is the property of Richards-Wilcox, any reproductions of this print and/or design without the written consent of Richards-Wilcox is prohibited.

**SR
6**