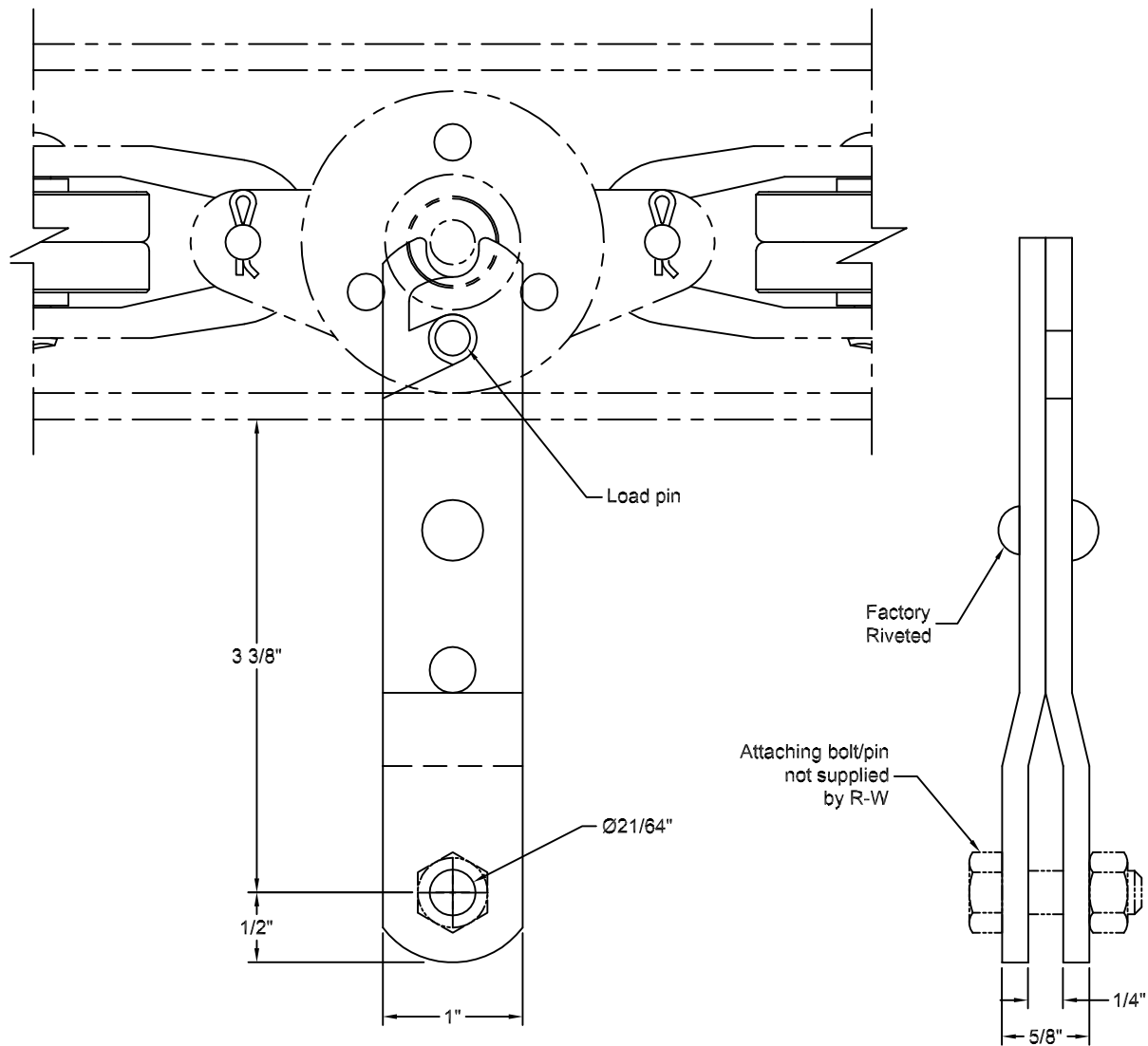


RIGID CLEVIS PENDANT

Part No. 2035.00316



DESCRIPTION: The Rigid Clevis Pendant is similar to the Rigid Straight Side Pendant except there is an offset in the pendant sides, to allow for a 1/4" gap. The pendant may be spaced on multiples of 6". It uses a scissor-like action to attach directly to the load pin on the vertical link of the conveyor chain. The pendant has a zinc plated finish.

APPLICATION: The pendant is used where a swinging load may be objectionable or not permitted. The pendant always remains perpendicular to the track. The pendant can be attached to a load bar or directly to a product rack.

CAPACITY: 75 lbs. per assembly

SHIPPING WEIGHT: .5 lbs.

File Name: 2035-316.dwg

RICHARDS - WILCOX

600 S LAKE ST. AURORA, IL 60506
 Phone: (830) 897-6951 Fax: (830) 897-6994
 Web Site: www.richardswilcox.com

DESCRIPTION:

RIGID CLEVIS PENDANT

PART NO.:

2035.00316

REV. LEVEL:

B

DATE:

JUNE 00

NOTICE:

This drawing in design and detail is the property of Richards-Wilcox, any reproductions of this print and/or design without the written consent of Richards-Wilcox is prohibited.

ZZ
12