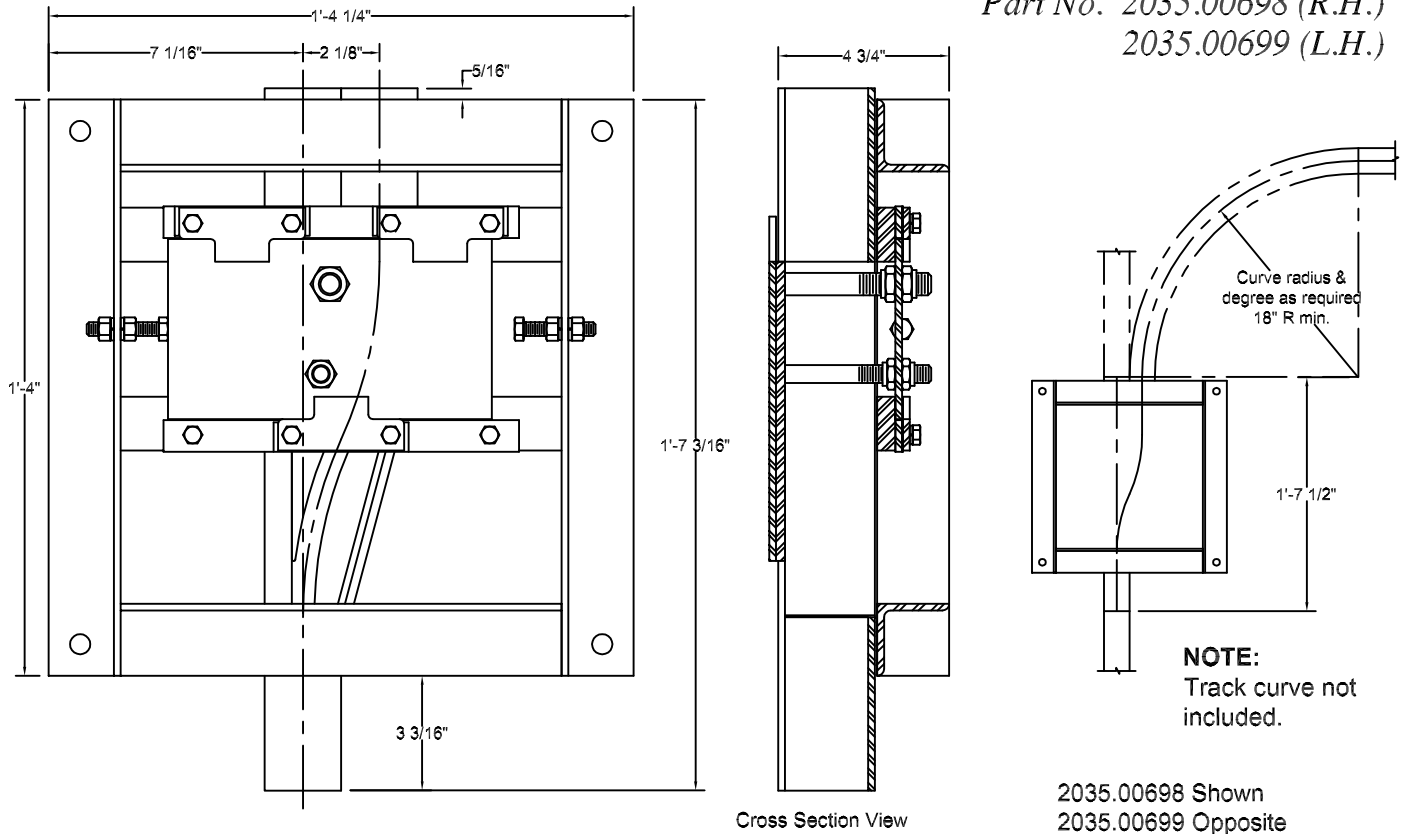


UNIVERSAL RADIUS FROG SWITCH

Part No. 2035.00698 (R.H.)

2035.00699 (L.H.)



DESCRIPTION: The Universal Frog Switch is a rugged unit with a full frog throw of 5/8". Carrier movement through the switch is smooth and unhampered. The Universal Frog Switch is available in both right hand (shown) and left hand (opposite) models. The switch frame has 9/16" diameter support holes located at each corner. The track curve is not included with the switch and must be specified and ordered separately. Switches are finished with R-W standard baked enamel powder coat paint.

APPLICATION: The Universal Frog Switch is required when carriers having a wheel base longer than 12" are used and also where it is desirable to switch off on an angle other than 90 degrees. The track curve leading from the switch to the spur track can be of any radius in excess of 18". Larger radii curves reduce the sway of the load since the change of direction is not as abrupt.

SHIPPING WEIGHT: 35 lbs.

File Name: 2035-698&699.dwg

RICHARDS - WILCOX

600 S LAKE ST. AURORA, IL 60506
 Phone: (630) 897-6951 Fax: (630) 897-6994
 Web Site: www.richardswilcox.com

DESCRIPTION:

UNIVERSAL RADIUS FROG SWITCH

PART NO.:

AS NOTED

REV. LEVEL:

B

DATE:

JUNE 00

NOTICE:

This drawing in design and detail is the property of Richards-Wilcox, any reproductions of this print and/or design without the written consent of Richards-Wilcox is prohibited.

SR
16