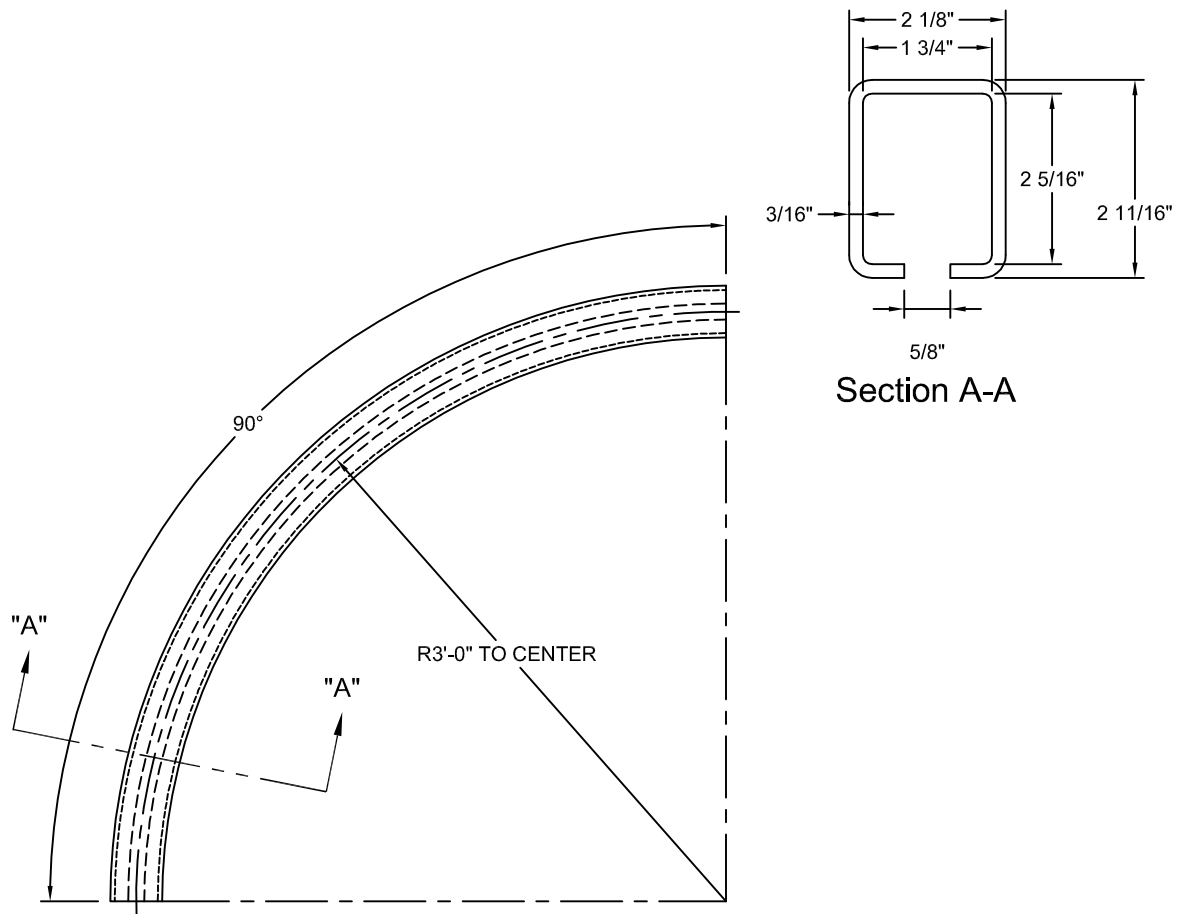


3'-0" RADIUS HORIZONTAL CURVES
Part No. 2035.01338SS



DESCRIPTION: The 2035.01338SS Horizontal Curve is used in "Safe-Rail" and "Zig-Zag" applications for changes in direction. The 2035.01338SS Curve is fabricated from #304 Stainless Steel with a 3'-0" radius by 90° bend and has a mill finish.

SHIPPING WEIGHT: 2035.01338SS: 24 lbs.

RICHARDS - WILCOX

600 S LAKE ST. AURORA, IL 60506
Phone: (630) 897-6951 Fax: (630) 897-6994
Web Site: www.richardswilcox.com

DESCRIPTION:

S.S. 3'-0" RADIUS HORIZONTAL CURVE

PART NO.:

2035.01338SS

REV. LEVEL:

B

DATE:

DEC. 05

NOTICE:

This drawing in design and detail is the property of Richards-Wilcox, any reproductions of this print and/or design without the written consent of Richards-Wilcox is prohibited.

ZZ
2A