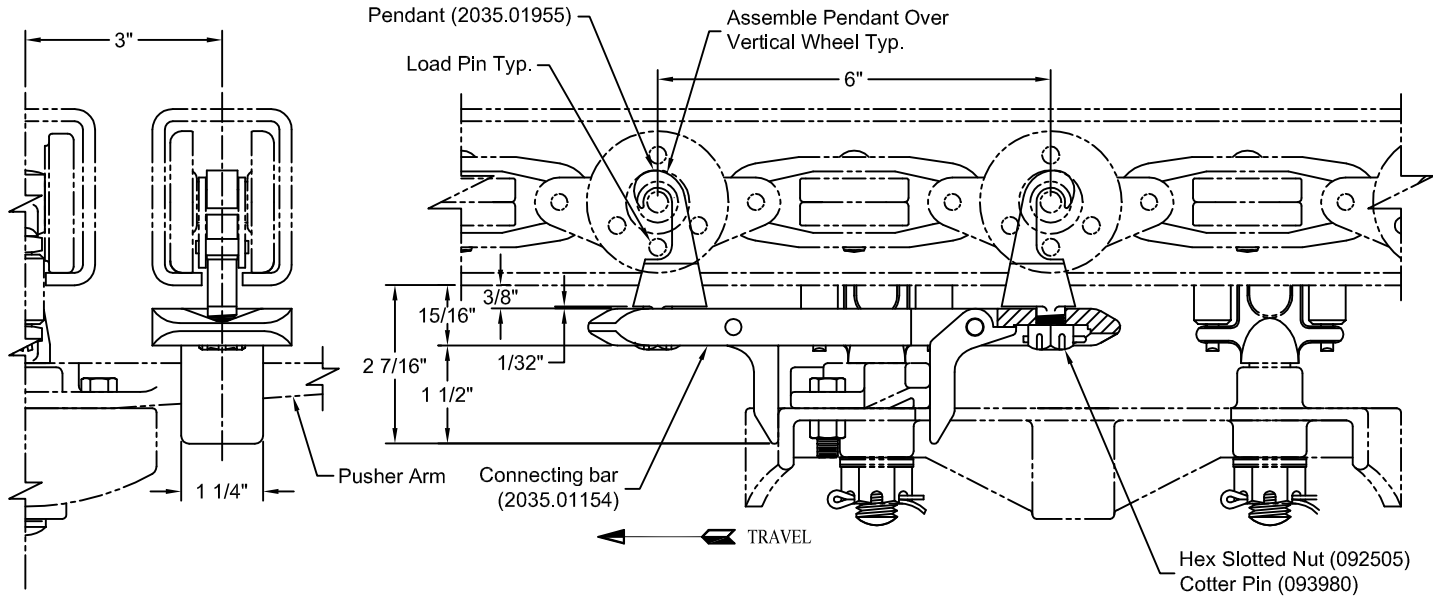


TWIN-TRAK PUSHER DOG  
(NON-DELATCHING)  
Part No. 2035.01155



**DESCRIPTION:** The 2035.01155 non-delatching pusher dog is composed of a connecting bar with moveable flipper lugs and two attachment pendants. the connecting bar is attached to the conveyor chain with the pendants, nuts, and cotter pins. See assembly instructions for additional information. The Pusher dog is furnished in a zinc pate finish.

**APPLICATION:** The non-delatching Pusher Dog is used in Power and Free "Twin-Trak" push or gravity systems where it is necessary to move the free carrier along the conveyor path.

**SHIPPING WEIGHT:** 3 lbs.

<b>RICHARDS - WILCOX</b> 600 S LAKE ST. AURORA, IL 60506 Phone: (630) 897-6951 Fax: (630) 897-6994 Web Site: www.richardswilcox.com	DESCRIPTION: <b>TWIN-TRAK PUSHER DOG (Non-Delatching)</b>			NOTICE: This drawing in design and detail is the property of Richards-Wilcox, any reproductions of this print and/or design without the written consent of Richards-Wilcox is prohibited.	<b>TT 2A</b>
	PART NO.: <b>2035.01155</b>	REV. LEVEL: <b>B</b>	DATE: <b>APR. 10</b>		