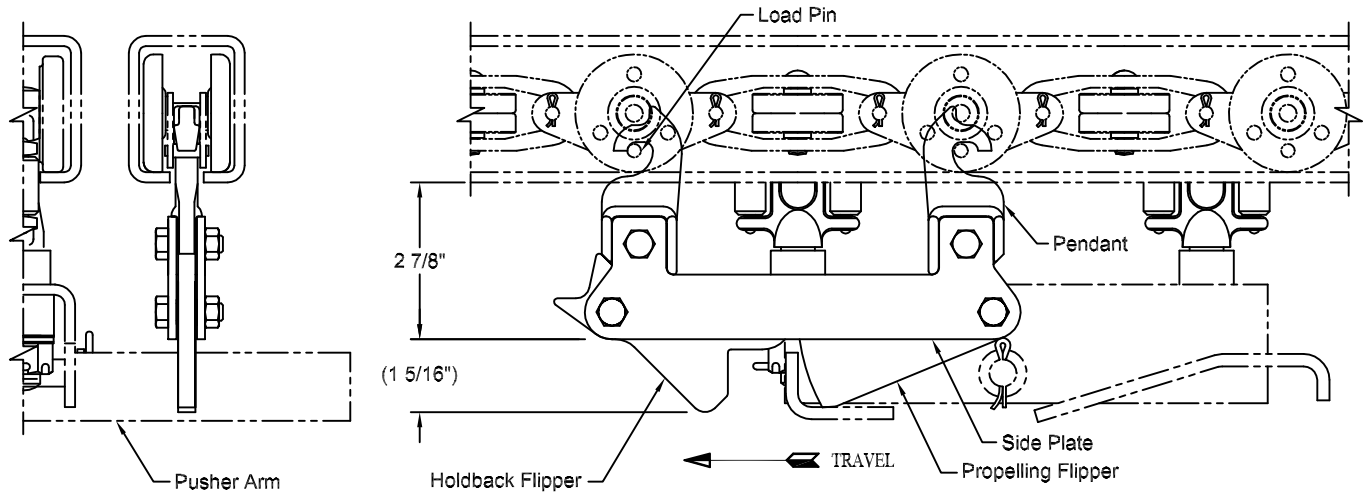


# TWIN-TRAK DELATCHING PUSHER DOG

Part No. 2035.01188



**DESCRIPTION:** The Pusher Dog is composed of two pendants, two side plates, two side plate spacers, one holdback flipper and one propelling flipper. The parts are assembled to the conveyor chain load pins with hex bolts and lock nuts. See assembly instructions for additional information.

**APPLICATION:** The Pusher Dog is used in "Twin-Trak" power and free delatching systems to engage the pusher arm of the carrier assembly for movement in the free load bearing track.

**SHIPPING WEIGHT:** 4 lbs.

## ASSEMBLY INSTRUCTIONS FOR DELATCHING PUSHER DOG

1.) Remove the rear pendant from the Pusher Dog Assembly and hook the forward pendant and dog assembly over the load pin as shown. Attach the loose pendant to the chain load pin as shown.

**Note:** The opening of the loose pendant should be facing away from the fixed pendant.

2.) Attach the loose pendant to the dog assembly with the hex bolt and lock nut removed at the start of the assembly procedure.

**Note:** the spacing of the Pusher Dog is indicated on the system layout drawing.

**RICHARDS - WILCOX**

600 S LAKE ST. AURORA, IL 60506  
 Phone: (630) 897-8951 Fax: (630) 897-6994  
 Web Site: www.richardswilcox.com

DESCRIPTION:

TWIN-TRAK DELATCHING PUSHER DOG

PART NO.:

2035.01188

REV. LEVEL:

B

DATE:

JUNE 00

NOTICE:

This drawing in design and detail is the property of Richards-Wilcox, any reproductions of this print and/or design without the written consent of Richards-Wilcox is prohibited.

TT  
2