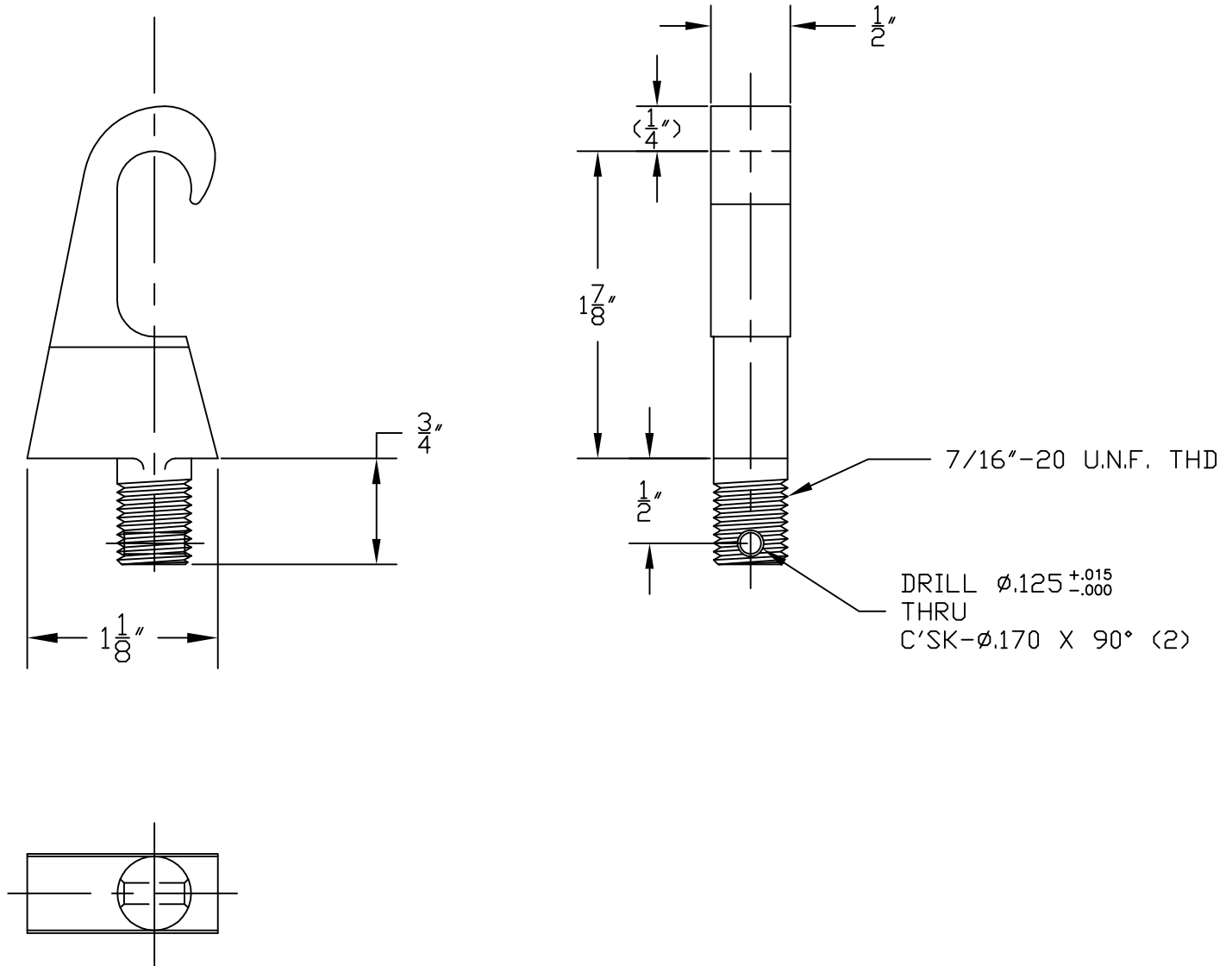


REV	DATE	BY	CH'KD	DESCRIPTION
A	8/25/11			TECH SHEET



MATERIAL:	<p align="center"><b>NOTICE</b></p> <p>THIS DRAWING IN DESIGN AND DETAIL IS THE PROPERTY OF RICHARDS-WILCOX. ANY REPRODUCTIONS OF THIS PRINT AND/OR DESIGN WITHOUT THE WRITTEN CONSENT OF RICHARDS-WILCOX IS PROHIBITED.</p>	<p><b>RICHARDS-WILCOX</b></p> <p>600 S. LAKE ST. AURORA, IL.</p>			
FINISH:		DESCRIPTION			
ANGULAR $\pm 1^\circ$	SCALE: NONE	PUSHER DOG PENDANT			
DECIMAL.XX $\pm .03$	DRAWN BY <u>DK</u> DATE <u>8/25/11</u>	ITEM NO.	DRAWING NO.	SHEET	REV.
.XXX $\pm .015$	CH'KD. BY _____ DATE _____	2035.01955	2035	1955	A
(UNLESS OTHERWISE SPECIFIED)	APPR. BY _____ DATE _____				
ALL DIMENSIONS ARE IN INCHES					

X