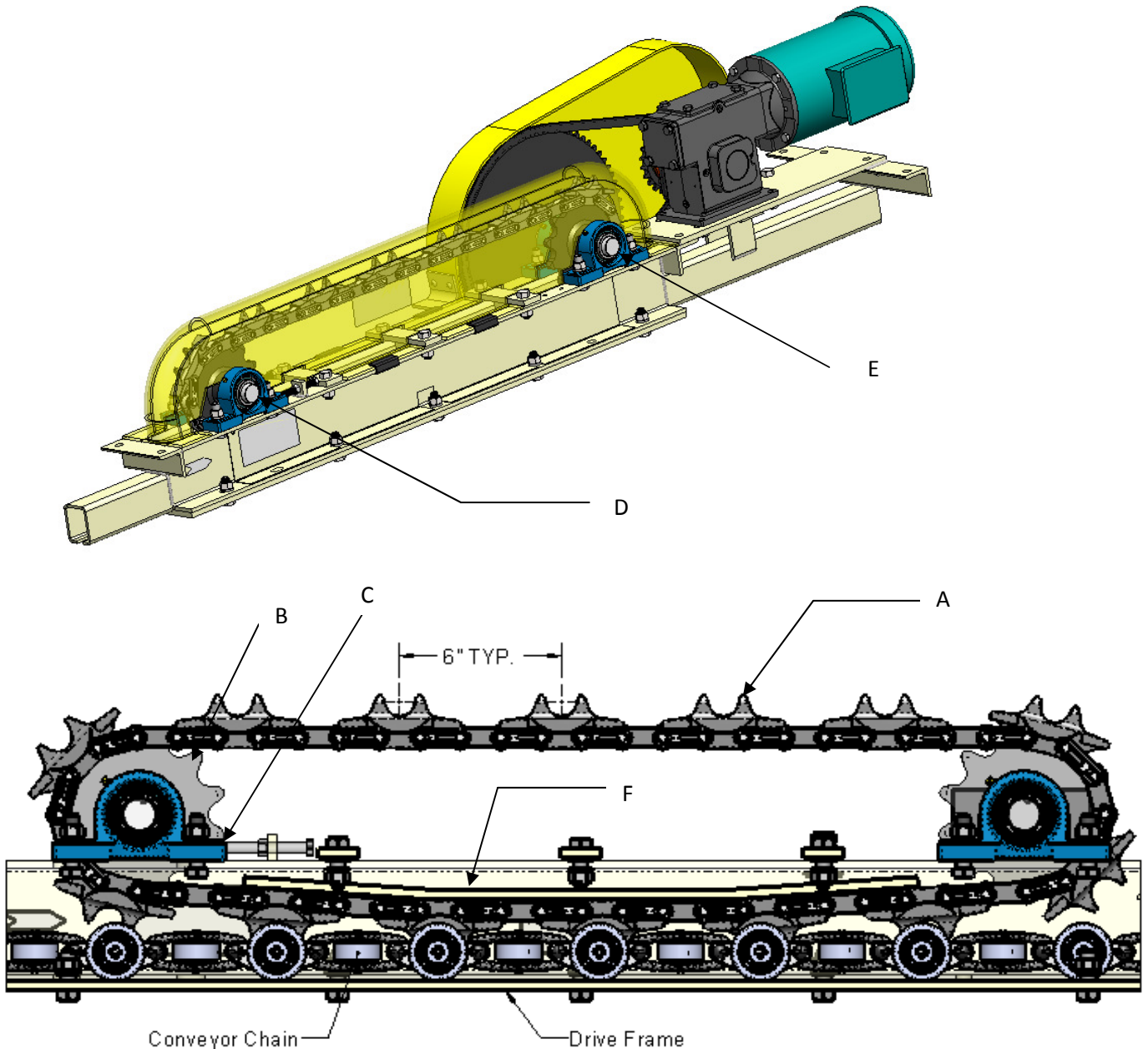


Drive "Cat" Chain Components  
Part No. See Below



**Description:** The drive "Cat" chain transmits the power to the conveyor chain.

SKELETON DRIVE COMPONENTS				
ITEM	PART NUMBER	DESCRIPTION	QTY/ ASM	WT (LBS)
A	2035.02536	DRIVE "CAT" CHAIN, C2062	1	15 EA.
B	2035.02535	SPROCKET, 2062A, 12T, C HUB	2	5 EA.
C	2035.01286	PILLOW BLOCK BEARING	4	6 EA
D	2035.02533M	IDLER SHAFT	1	11 EA
E	2035.02534M	DRIVE SHAFT	1	15 EA
F	2035.01281	BACK-UP BAR	1	10 EA
	097952	KEY STOCK, 1/4" X 2" (FOR SPROCKETS)	2	0.1 EA

**Richards-WILCOX**

600 S LAKE ST. AURORA, IL 60506  
Phone: (630) 897-6951 Fax: (630) 897-6994  
Web Site: www.richardswilcox.com

DESCRIPTION:

**Drive "Cat" Chain Components**

PART NO.:

**2035.02536**

REV. LEVEL:

**C**

DATE:

**6/18/2015**

NOTICE:

This drawing in design and detail is the property of Richards-Wilcox, Inc. Any reproductions of this print, and/or design without the written consent of Richards-Wilcox, Inc. is prohibited.

**ZZ**